

Aura Switch

Installation Guide

What is in the box?

1. Aura Switch
2. Switch connector
3. User manual
4. Setup Code Sticker

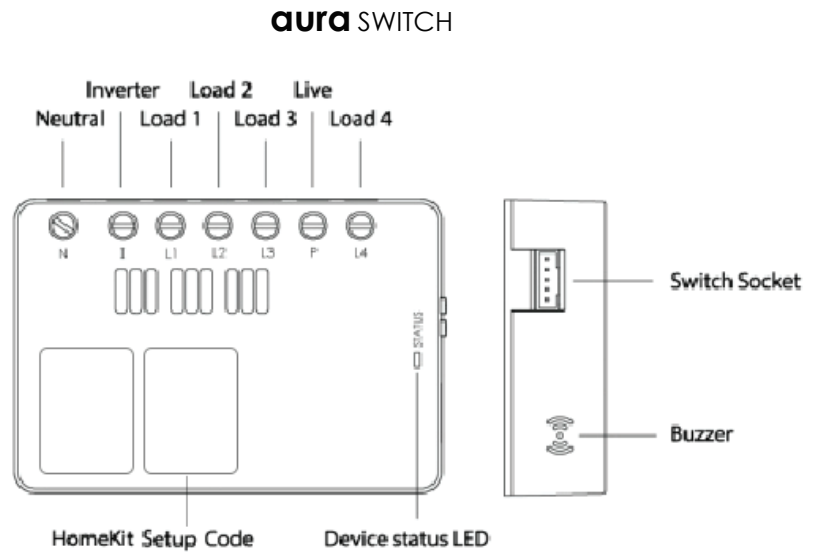


Fig. 01

aura SWITCH

Aura Switch is a retrofittable device which fits behind your standard wall switch board. With Aura Switch installed, you can enjoy a multitude of features such as controlling appliances through voice, mood based scene settings, appliances shceduling and Geo-location based control.

Model	WASI03
Input	AC 110-250V
Total No.of loads	4
Load Wattage	3x 600W, 1x 1500W
Communication Protocol	Wi-Fi (2.4 GHz)
Size	85*58-20.5 (L*W*H)
Weight	104 g

Setup guide

Load Connections

- Connect neutral wire behind switchboard to terminal N of Aura Switch.
- Connect live wire behind switchboard to terminal P of Aura Switch.
- Connect inverter wire to terminal I of Aura Switch. If no inverter wire is available, connect another live wire to terminal I.
- Connect appliances or lights as loads to terminals L1, L2, L3 and L4

Load Capabilities

Multiple appliances or lights can be connected to a single load and can be controlled together. Loads connected to L1, L2, L3 combined load of appliances for each slot cannot exceed 600W. Load connected to L4 can be a heavy appliance with power rating not exceeding 1500W.

Fig. 02 shows electrical wiring before installing Aura Switch

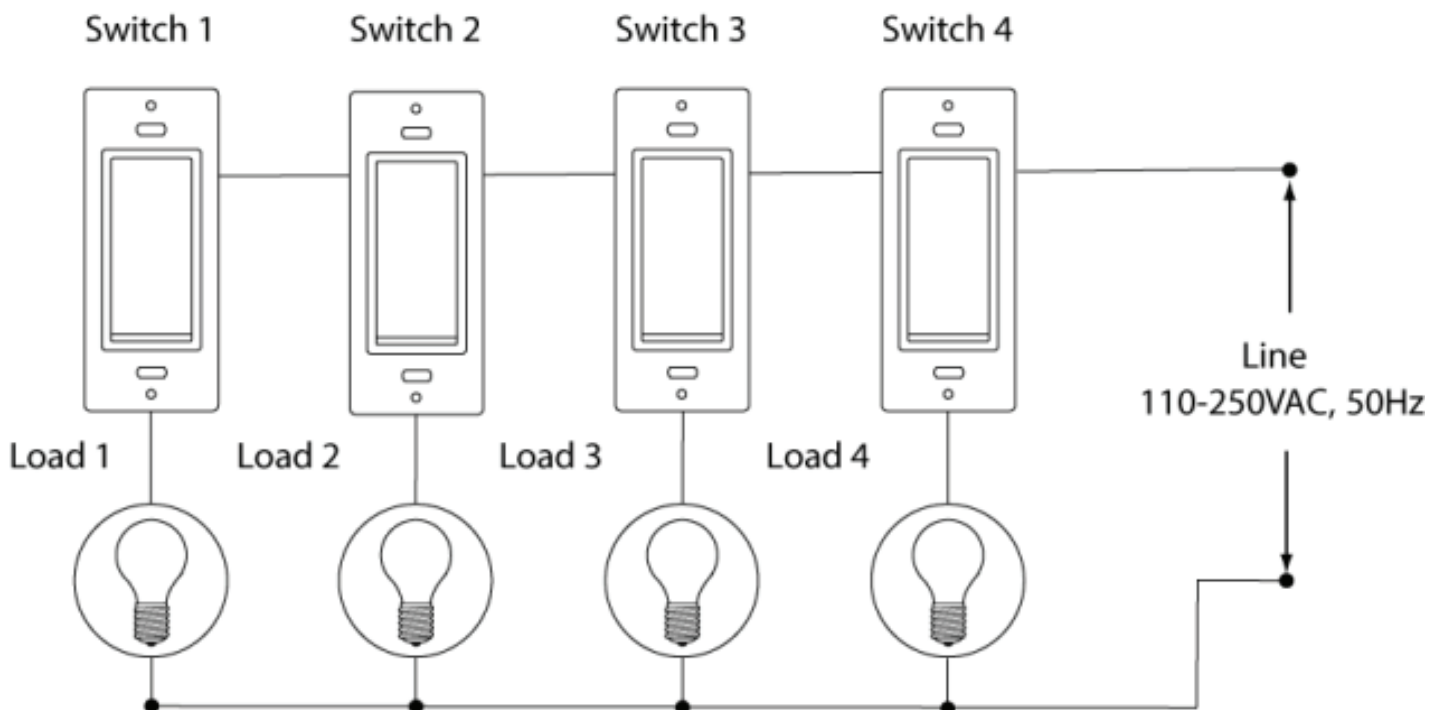


Fig. 02

Switch connections

- Plug switch connector provided in the box to the switch socket of Aura Switch.
- Following are the colours of the wires that have to be connected to the switches and the respective loads they control.

- Ground - Yellow
- Switch 1 - Orange (L1)
- Switch 2 - Red (L2)
- Switch 3 - Brown (L3)
- Switch 4 - Black (L4)

Fig. 03 shows Loads and Switch connections after installing Aura Switch

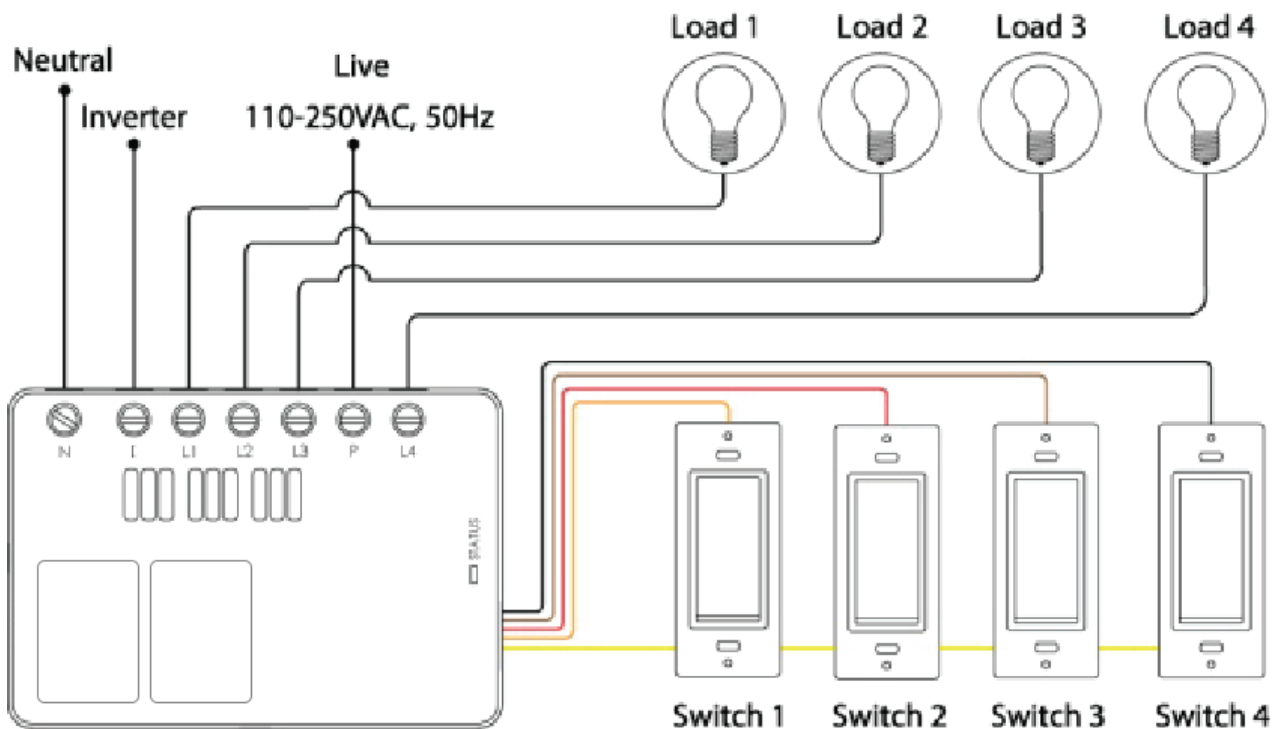


Fig. 03

Fig. 04 shows power supply connection if inverter wiring isn't available

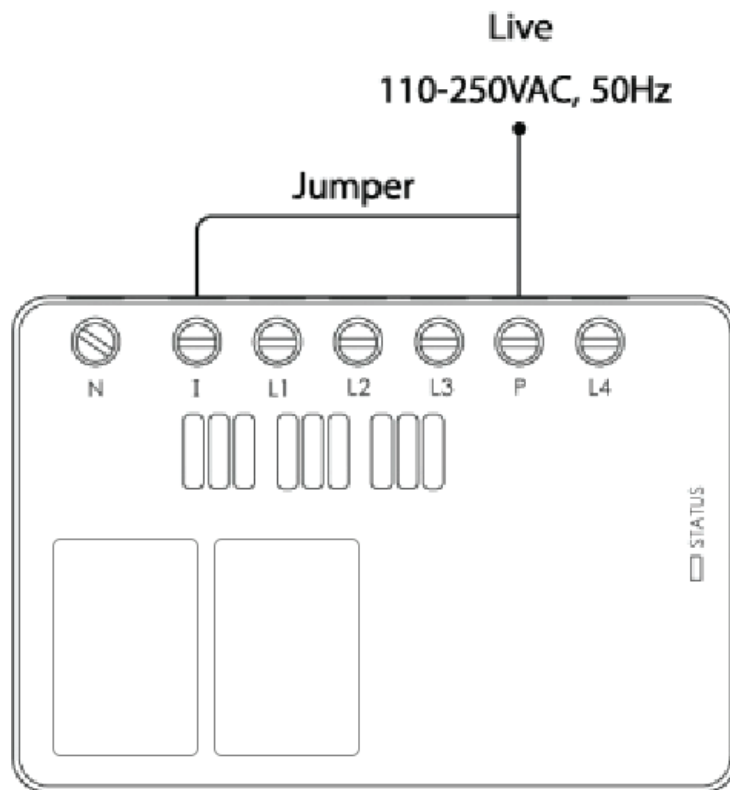


Fig. 04

Precautions

- Do not connect heavy loads to load terminals L1, L2 and L3.
- Make sure that no other electrical connections are made to the switches connected with the Aura switch connector.
- If you do not have basic electrical wiring knowledge, please get help of an electrician or contact us.

Accessory Configuration

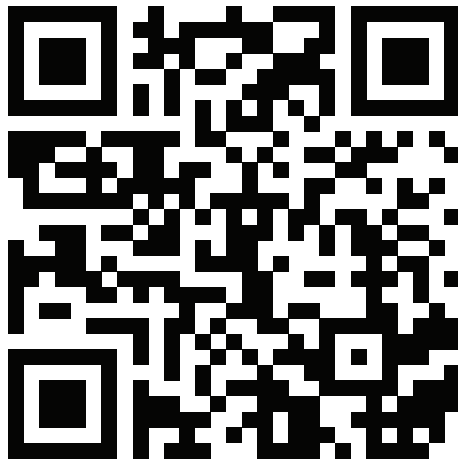
On iOS devices

For configuration on iOS devices, please visit the link or scan the QR code below

www.wozart.com/homekit

or

Scan QR code below to watch video



<https://youtu.be/Apmm6l0uc2I>

On Android devices

For configuration on android devices, please visit the link or scan the QR code below

www.wozart.com

or

Scan QR code below to watch video



<https://youtu.be/4FzByU5cs8I>

Frequently Asked Questions (FAQs)

1. Do I have to change my switchboard?

No. Aura Switch is a complete retrofit solution and it goes right behind your existing switchboards without any additional rewiring.

2. Will my mechanical switches stop working if I use your product?

No. The mechanical switches will continue to function even after the product is installed.

3. Do I require internet access to use your device?

No. To control appliances from inside your home, you will not require working internet connection. For controlling appliances from outside your home, you would require internet as well as hub inside home which can be an iPad, HomePod or an Apple TV (4th gen or later).

4. How do you classify appliances as heavy appliance?

All appliances with greater than 650W power rating are considered as heavy appliance. AC, geyser and refrigerators fall under this category.

5. Can your device easily fit behind the switchboard?

Yes, Aura Switch has been meticulously designed to easily fit behind all standard switch panels.

Declarations

All Aura products are proprietary of Wozart Technologies Private Limited. All rights reserved. Without prior approval of Wozart Technologies, reproduction, transfer, distribution or storage of contents in this document in any form is prohibited.

Wozart

Technologies operates a policy of ongoing development. Thus, Wozart Technologies reserves the right to make changes or improvements to the products described in this document without prior notice.

E-waste refers to electrical and electronic equipment, whole or in part discarded as waste by the consumer. Ensure that an authorized agency discards your device when needed. Do not dismantle the devices on your own. Always discard used electronic products at the end of life cycle in proper manner; use an authorized collection point or collection center. Improper disposal may release toxins into soil and water and may also release green house gases.

Wozart Technologies Pvt. Ltd. Certifies that to its Knowledge Aura products are “Pb-free”

Warranty and Service

This Aura Product can be replaced in full for one year from date of purchase in case of damage or malfunction. This Warranty does not cover cosmetic damage or damage from accident, neglect, misuse, alteration, containment, or abnormal conditions of operation or handling. Wozart Technologies or any of its licensors are not liable for any special, incidental, consequential or indirect damages or losses arising from any cause.

Resellers are not authorized to extend any other warranty on Wozart's behalf. Service for all Aura products will be provided for device life time. To obtain service, contact nearest authorized Aura distributor or Wozart Technologies Private Limited.

Thank you
for purchasing Aura

Visit us or write us at:

info@wozart.com

www.wozart.com